

# Neat Pad Pro

10-inch

NF-J1



neat.

User manual

# Neat Pad Pro

## Touch interface device



Neat Pad Pro is a streamlined touchscreen device with two distinctive functions. You can use it as a meeting controller for our Neat Bar and Neat Board devices, or as a scheduling display for room availability.

Neat Pad Pro comes with everything you need to get quickly up and running, including cables and a choice of mounting options.

### In the box

Neat Pad Pro  
Multi-bracket  
Cable lock  
Hex key: 2 mm  
1 x Ethernet cable: 9.84 ft (3 m)  
Warranty book

### Optional Neat accessories

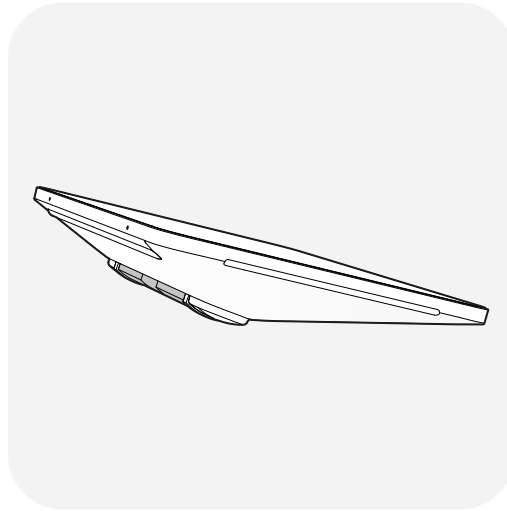
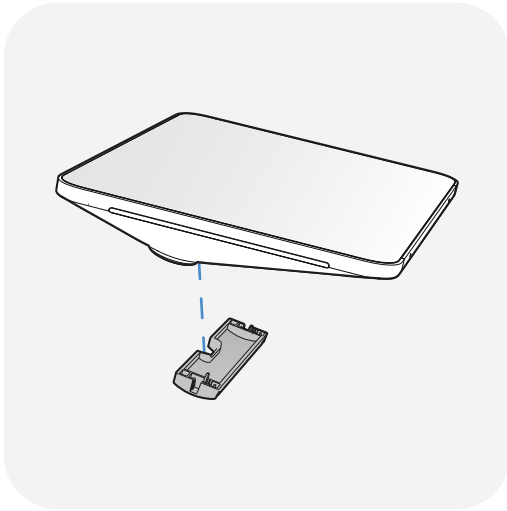
Ethernet cable: 16.4 ft (5 m)  
PoE power supply\*

\*If using an alternative PoE power source, it must be compliant with the IEEE 802.3 af/at/bt PoE standard

# Mounting options

## Cable lock (included)

Two screws hold the cable lock firmly in place and secure the Ethernet cable

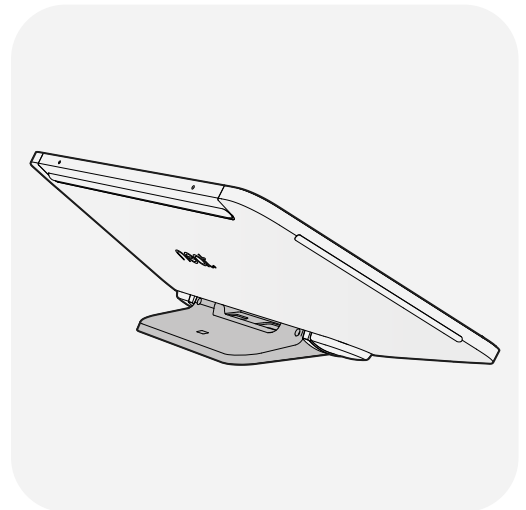
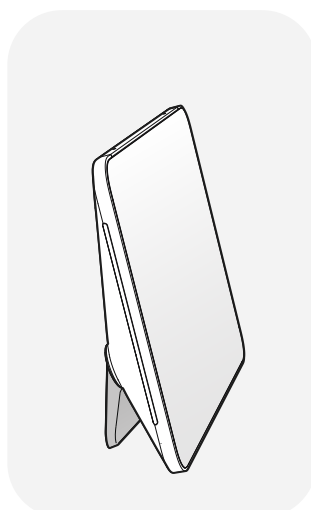
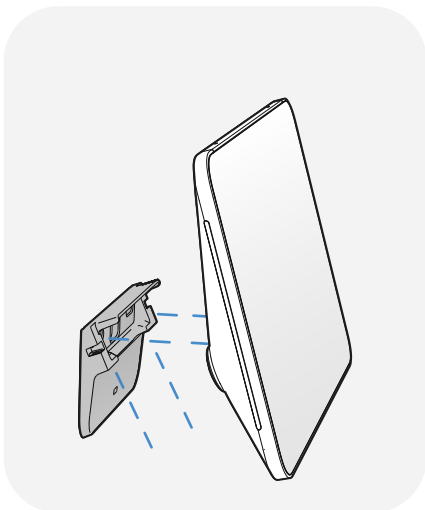


## Multi-bracket (included)

Offers elevated screen angle on the table and doubles as a wall mount bracket. Two set-screws hold the multi bracket securely in place.

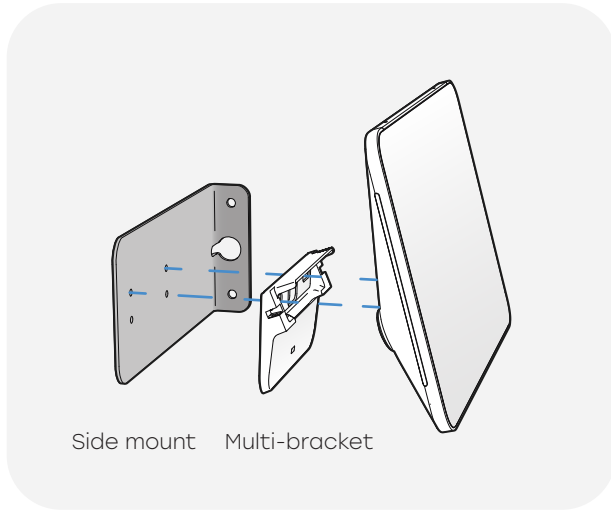
Wall mount

Table stand

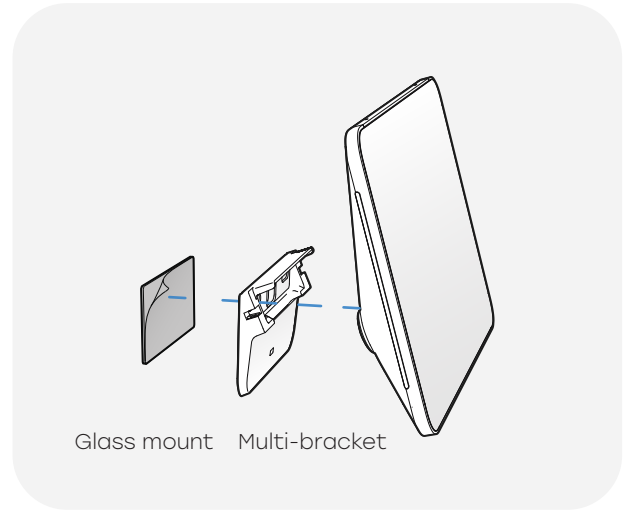


# Mounting options

Side mount (sold separately)



Glass mount (sold separately)



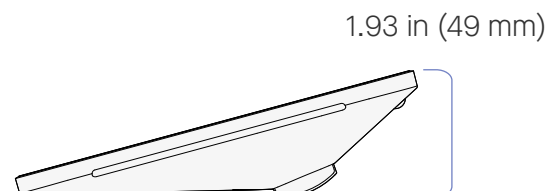
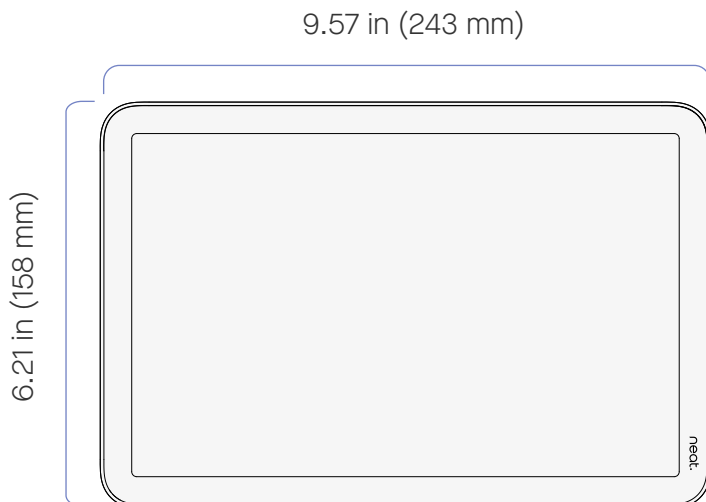
Screws for mounting to the wall are not included. Mounting on a wall should only be performed by qualified personnel in line with applicable facility and state regulations. The wall and the mounting equipment must safely withstand the load of the product.

## Size and weight

### Neat Pad Pro

Width: 9.57 in (243 mm)  
Height: 6.21 in (158 mm)

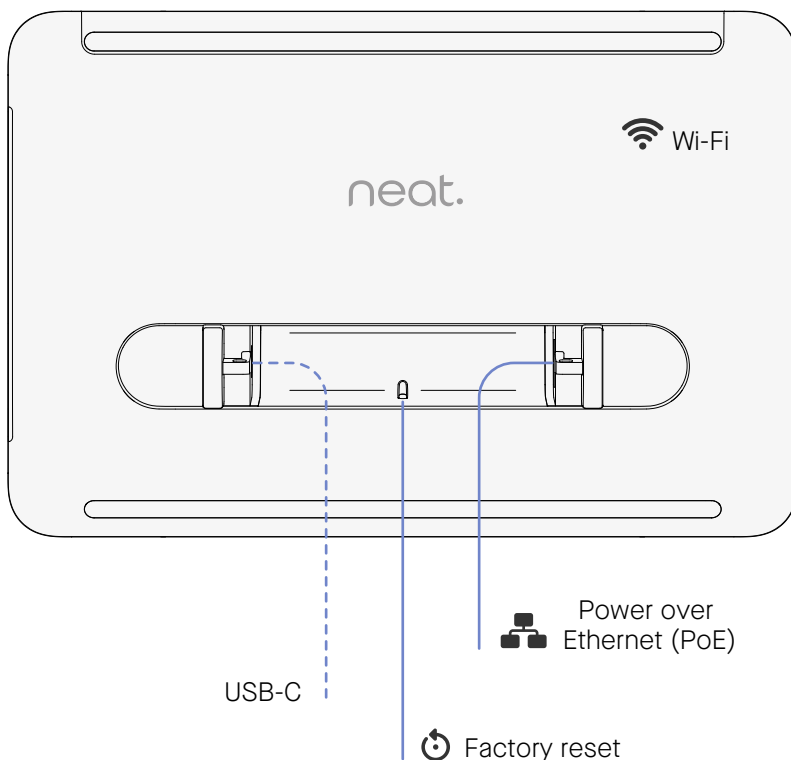
Depth: 1.93 in (49 mm)  
Weight: 1.87 lb (850 g)



# Setup and connectivity

## Setup

Use the provided cables to set up Neat Pad Pro. Connect the cables according to the illustration. Cables marked — are included. Cables marked ---- are optional and not required for basic use of the system.



## Requirements for a complete setup:

PoE network or  
PoE power supply

## Networking and ports

Wi-Fi  
USB-C (for debug only)  
Ethernet (PoE)

## Environmental Requirements

Ambient operating temperature:

32–95 °F (0–35 °C)

Storage temperature: -4–140 °F (-20–60 °C)

Relative humidity: 10%–90% (non-condensing)

## Additional Product Information

<https://neat.no/pad-pro>

Neat Pad Pro – User Manual 01

Trademark: NEAT