

# Neat Board 32

NF-M1



neat.

User manual

# Neat Board 32

## Video conferencing device



Neat Board 32 brings exceptional video collaboration to small shared spaces and desks in an elegant, all-in-one, 32-inch touch-screen device.

It's everything you need for high-quality meetings with no extra gear required. Deploy it in minutes, connect to any platform, and manage at scale.

Transform your focus spaces, huddle rooms, phone booths, and hot desking zones into thriving productivity hubs.

Upgrade your desk and use Neat Board 32 as a desktop display to seamlessly shift in and out of meetings while staying productive.

# Simple setup and mounting

Neat Board 32 comes with everything you need to get started, including a table stand and cables. For even more flexibility, additional mounting options are available separately to suit your specific workspace needs.

## In the box:

Neat Board 32 with table stand  
1 x Ethernet cable: 9.84 ft (3 m)  
Power cord: 9.8 ft (3 m)  
USB-C cable: 5.9 ft (1.8 m)  
Privacy cover with docking  
Cable lock  
Hex key: 2 mm

## Table stand

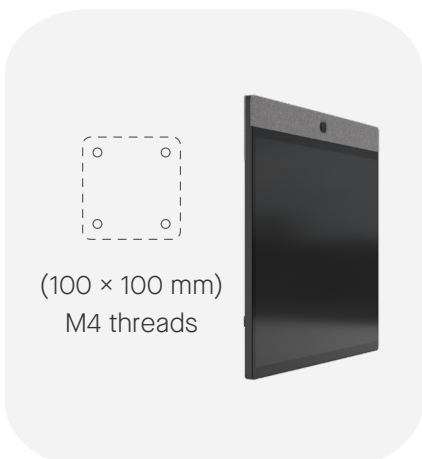
(included)



The table stand gives your Neat Board 32 a fixed 4-degree viewing angle

## VESA interface

(included)



The integrated VESA interface allows you to mount it using a wide range of compatible third-party mounting solutions.

# Optional mounting

## Adaptive table stand

(optional)



A free-standing table stand with tilt, swivel, and height adjustment for flexible placement.



2 × M6 screws:  
0.78 in (20 mm)  
Hex key (5 mm)

## Adaptive table stand with bolt-down kit

(optional)



M8 bolt and nut  
Stopper plate  
Hex key (2.5 mm)  
M8 wrench

## Adaptive table clamp

(optional)



Fixed to the edge of a table, offering a space-saving solution with tilt, swivel, and height adjustment.



## Adaptive table clamp with bolt-down kit

(optional)



M8 bolt and nut  
Stopper plate  
Cover  
Hex key (2.5 mm)  
M8 wrench

# Optional mounting

## Wall mount

(optional)



Mount Neat Board 32 to any wall for a slim and ADA compliant fit. Includes a locking mechanism for added security.

VESA compatible



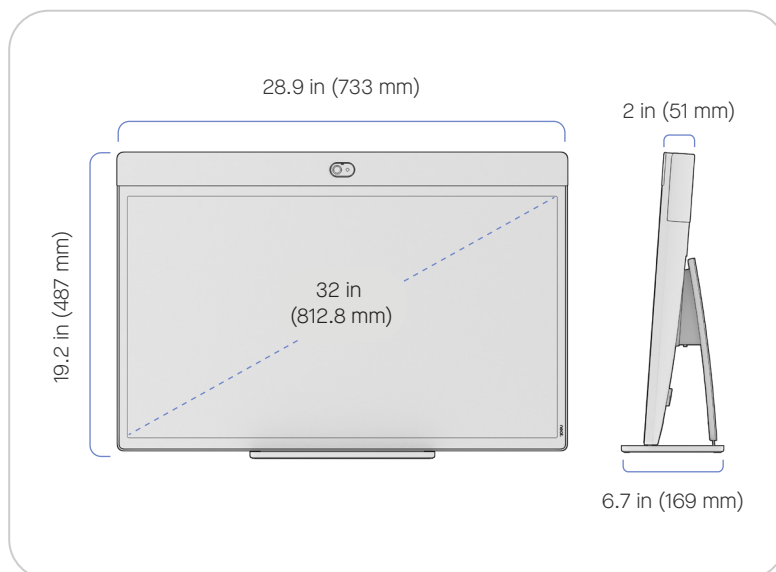
Screws for mounting to the wall are not included. Mounting on a wall should only be performed by qualified personnel in line with applicable facility and state regulations. The wall and the mounting equipment must safely withstand the product load.

# Size and weight

## Neat Board 32 with table stand

Width: 28.9 in (733 mm)  
Height: 19.6 in (498 mm)  
Depth: 6.7 in (169 mm)

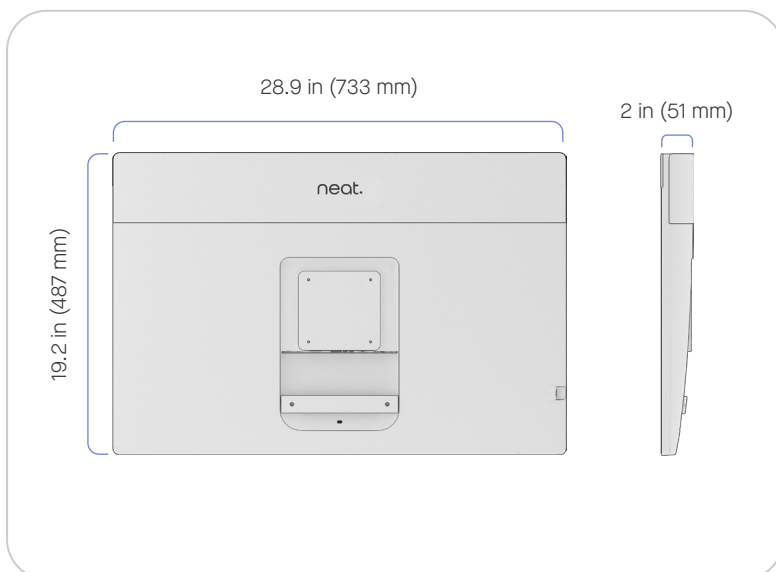
Weight: 24.5 lb (11.1 kg)  
Net weight of table stand:  
2.8 lb (1.27 kg)



## Neat Board 32 with VESA interface

Width: 28.9 in (733 mm)  
Height: 19.2 in (487 mm)  
Depth: 2.0 in (51 mm)

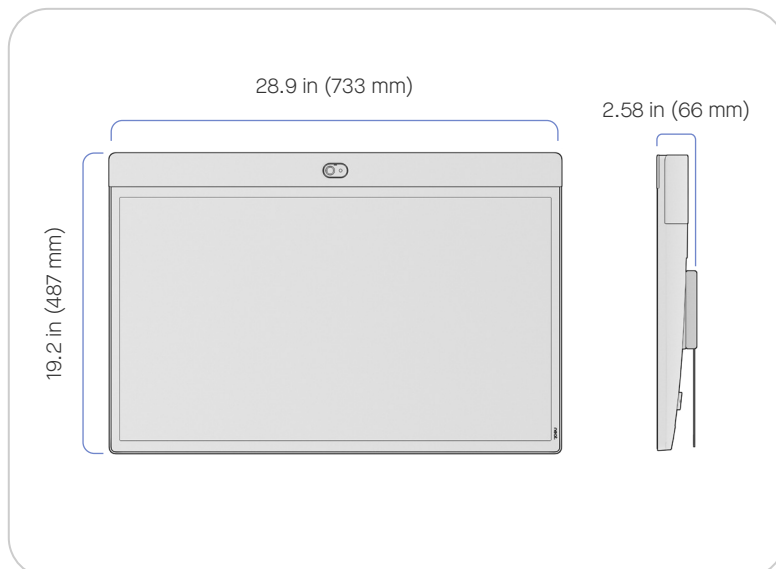
Weight: 21.6 lb (9.8 kg)



## Neat Board 32 with wall mount

Width: 28.9 in (733 mm)  
Height: 19.2 in (487 mm)  
Depth: 2.58 in (66 mm)

Weight: 22.1 lb (10.0 kg)  
Net weight of wall mount:  
0.44 lb (0.2 kg)

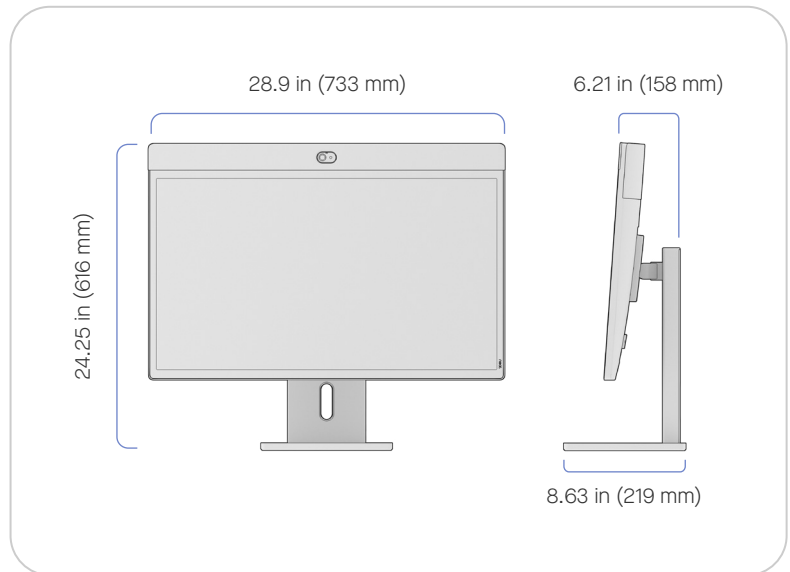


# Size and weight

## Neat Board 32 with adaptive table stand

Width: 28.9 in (733 mm)  
Height (min): 20.32 in (516 mm)  
Height (max): 24.25 in (616 mm)  
Swivel:  $\pm 20^\circ$   
Tilt:  $\pm 10^\circ$   
Depth: 8.63 in (219 mm)

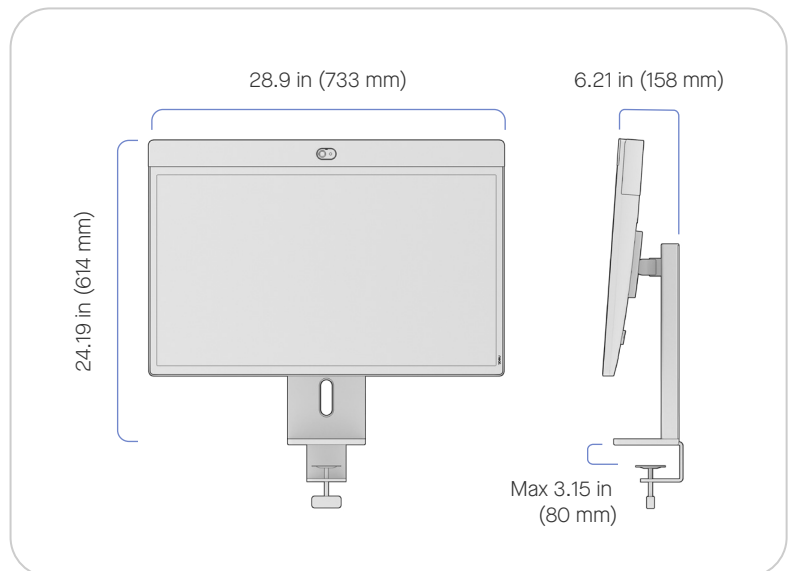
Weight: 31.8 lb (14.4 kg)  
Net weight of adaptive table stand: 10.2 lb (4.62 kg)



## Neat Board 32 with adaptive table clamp

Width: 28.9 in (733 mm)  
Height (min): 20.24 in (514 mm)  
Height (max): 24.19 in (614 mm)  
Swivel:  $\pm 20^\circ$   
Tilt:  $\pm 10^\circ$   
Depth: 6.21 in (158 mm)

Weight: 32.2 lb (14.6 kg)  
Net weight of adaptive table clamp: 10.6 lb (4.81 kg)



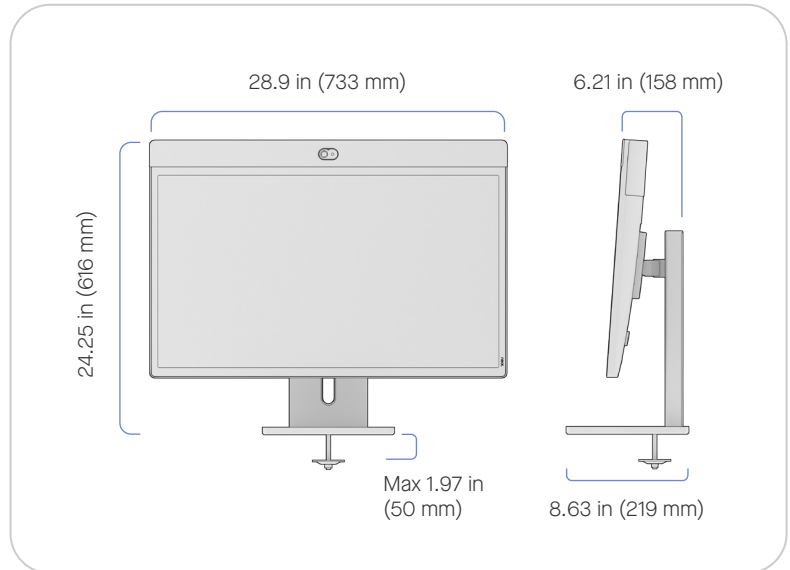
Only use the Neat Board 32 adaptive mounts with a Neat NF-M1 video conference device. Usage with other equipment may result in instability and cause injury.

# Size and weight

## Neat Board 32 with adaptive table stand and bolt-down kit

Width: 28.9 in (733 mm)  
Height (min): 20.32 in (516 mm)  
Height (max): 24.25 in (616 mm)  
Swivel:  $\pm 20^\circ$   
Tilt:  $\pm 10^\circ$   
Depth: 8.63 in (219 mm)

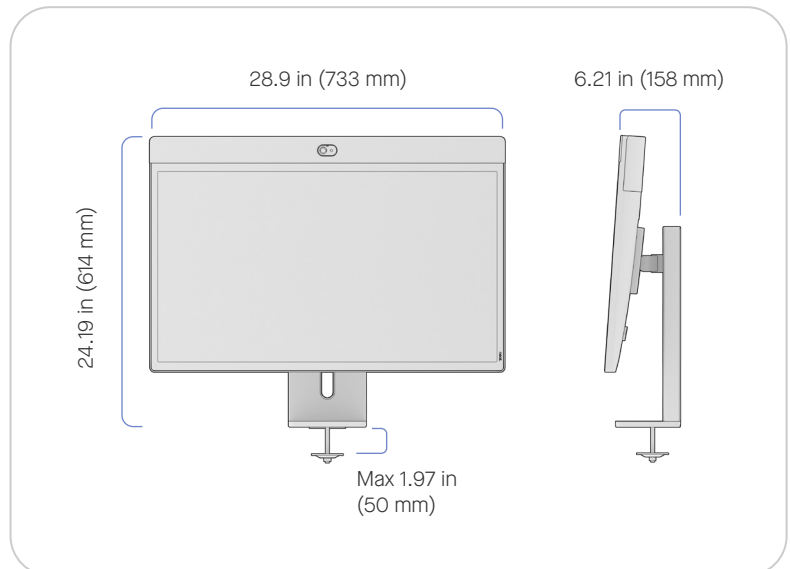
Weight: 32.0 lb (14.51 kg)  
Net weight of adaptive table stand with bolt-down kit: 10.4 lb (4.73 kg)



## Neat Board 32 with adaptive table clamp and bolt-down kit

Width: 28.9 in (733 mm)  
Height (min): 20.24 in (514 mm)  
Height (max): 24.19 in (614 mm)  
Swivel:  $\pm 20^\circ$   
Tilt:  $\pm 10^\circ$   
Depth: 6.21 in (158 mm)

Weight: 32.2 lb (13.8 kg)  
Net weight of adaptive table clamp with bolt-down kit: 8.91 lb (4.04 kg)



Only use the Neat Board 32 adaptive mounts with a Neat NF-M1 video conference device. Usage with other equipment may result in instability and cause injury.

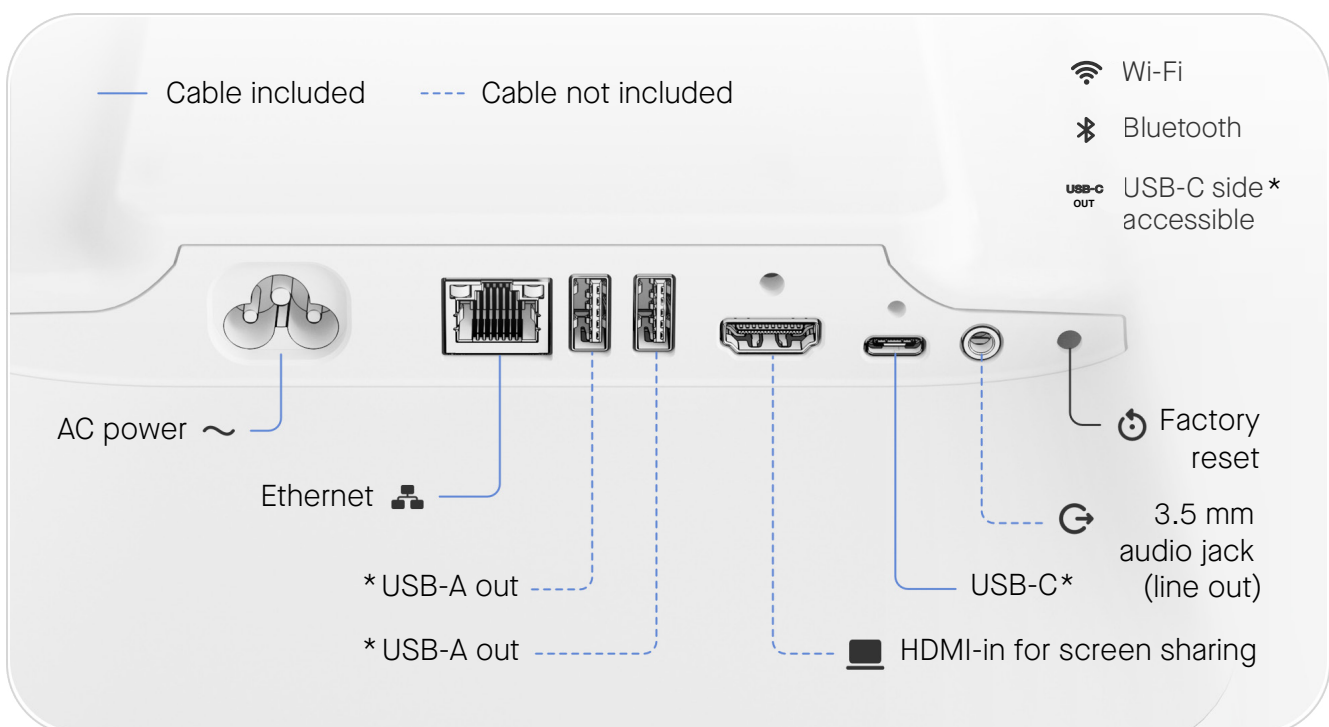
# Setup and connectivity

## Setup

Use the provided cables to set up the system.  
Connect the cables according to the illustration.  
Cables marked — are included.  
Cables marked ---- are optional and not required for the basic use of the system.

## Requirements for a complete setup:

Internet connection



\*

USB-C: for screen sharing, BYOD and charging

USB-A: for accessories/peripherals and charging

USB-C (side): for accessories/peripherals and charging

## Environmental requirements

Ambient operating temperature:

32–95 °F (0–35 °C)

Storage temperature: -4–140 °F (-20–60 °C)

Relative humidity: 10%–90%

## Additional product information

[neat.no/board-32](https://neat.no/board-32)

Neat Board 32 – User Manual 01

Trademark: NEAT